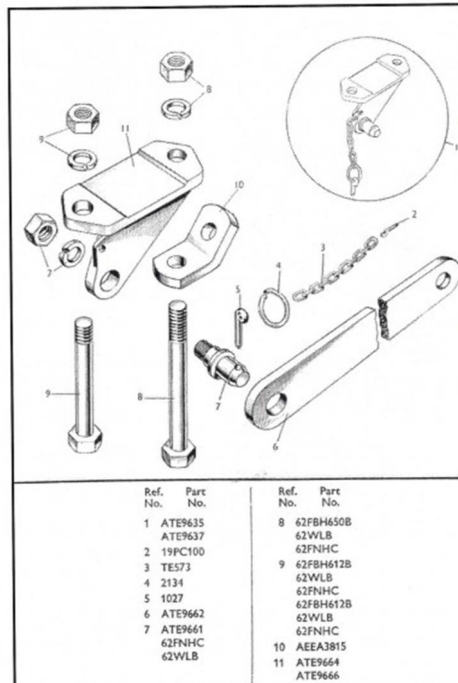



MOUNTED UNDER THE REAR BOLT ON THE RIGHT HAND SIDE WING BOLT BELOW THE STAY. BOLT LENGTH INCREASED TO 6 1/2"



Designed by Tim Ray	Material Steel, Mild	Mass	Date 27/01/2012	Size A4
		AAEA3815 - MOWER BRACKET		
www.ploughmyfield.com			Revision IA	Sheet 1 / 1