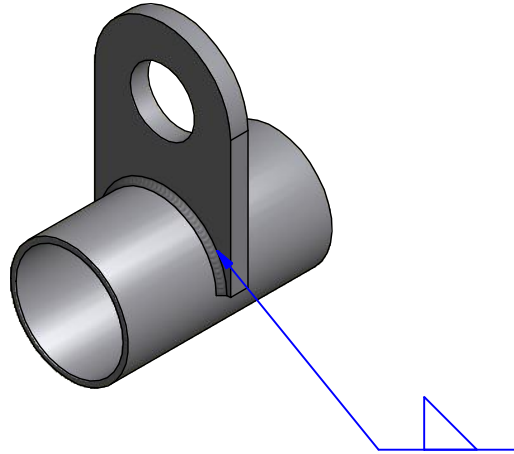
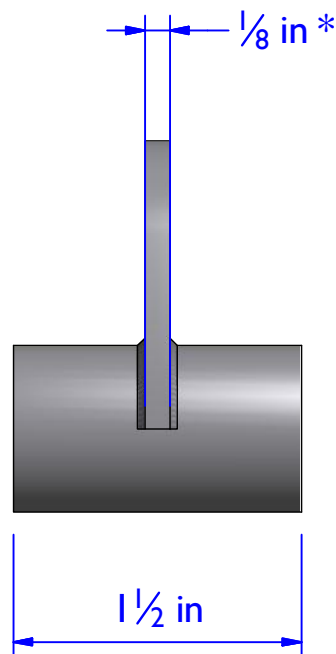
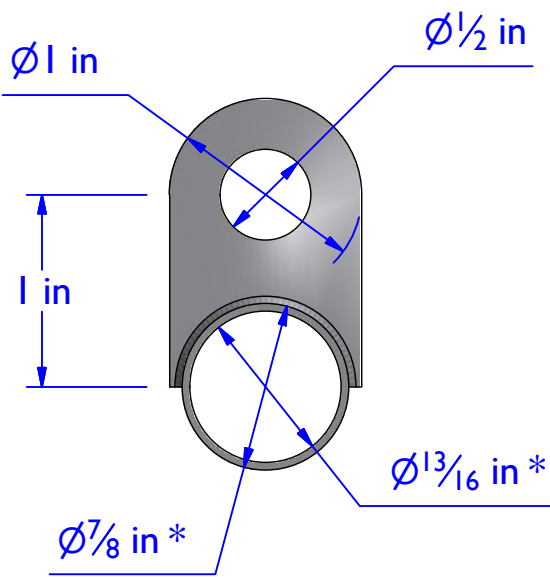



I OFF REQUIRED



WELD AS REQUIRED
TO HOLD THE TWO ITEMS TOGETHER
NOT STRUCTURAL



* not critical could be slightly smaller or larger depending on what you have lying around

Drawn by TR	Material Welded Steel Mild	Mass 0.04 kg	Date 16/05/2011	Size A4
		TEF-20 Cable Bracket		
		www.ploughmyfield.com		Revision IA